



OPEN LATTICE PATIO FOR SINGLE FAMILY DWELLING

DIRECTIONS:

1. Do not use pencil.
2. Check the appropriate box as to the adjacent use next to each property line.
3. Draw an outline of the proposed patio cover. No posts are permitted in the shaded area. Roof overhang may project one foot into shaded area.
4. Indicate the overall dimensions of the patio cover: _____ x _____ feet
5. Indicate the dimension from patio covers to the property lines: _____ Right _____ Left _____ Rear
6. Indicate the location and width of all existing and proposed easement areas.

ADVISORY: DESIGN IS NOT APPLICABLE TO PROJECTS LOCATED IN HIGH FIRE SEVERITY ZONES.

<input type="checkbox"/> NEIGHBORS HOUSE	<input type="checkbox"/> NEIGHBORS SIDE/BACK YARD	<input type="checkbox"/> NEIGHBORS GARAGE	<input type="checkbox"/> PERMANENT OPEN AREAS	<input type="checkbox"/> OTHERS
--	---	---	---	---------------------------------

<input type="checkbox"/> OTHERS	<input type="checkbox"/> PERMANENT OPEN AREAS	<input type="checkbox"/> NEIGHBORS GARAGE	<input type="checkbox"/> NEIGHBORS SIDE/BACK YARD	<input type="checkbox"/> NEIGHBORS HOUSE
---------------------------------	---	---	---	--

<input type="checkbox"/> NEIGHBORS HOUSE	<input type="checkbox"/> NEIGHBORS SIDE/BACK YARD	<input type="checkbox"/> NEIGHBORS GARAGE	<input type="checkbox"/> PERMANENT OPEN AREAS	<input type="checkbox"/> OTHERS
--	---	---	---	---------------------------------

PROPERTY LINE

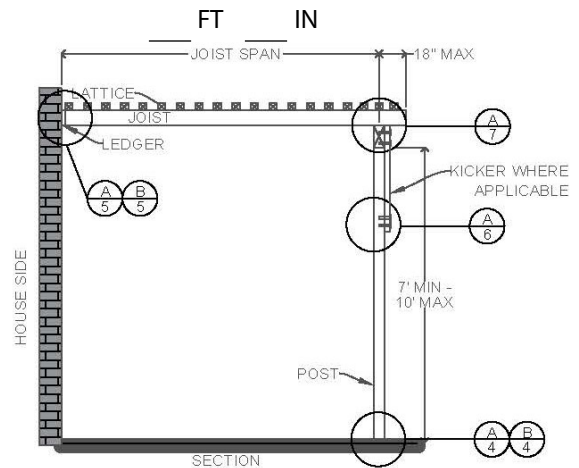
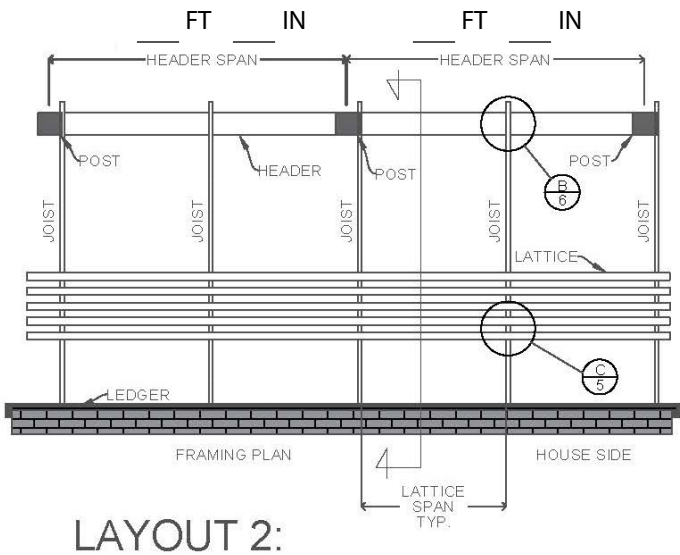
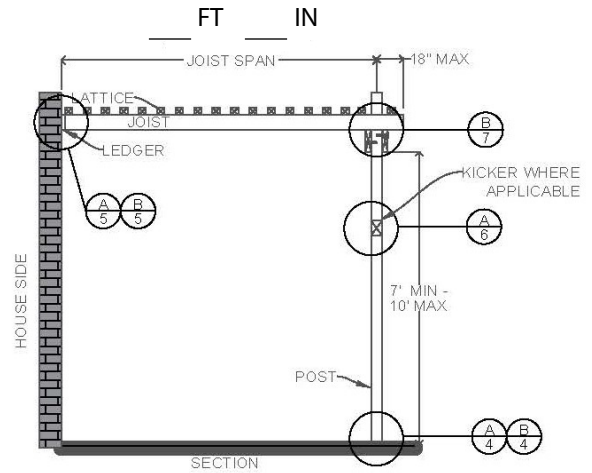
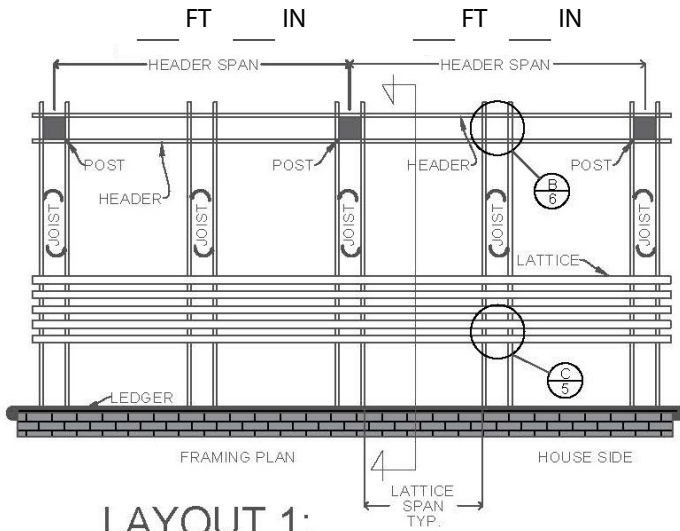
PATIO CONSTRUCTION GUIDELINES

DIRECTIONS:

FILL IN THE REQUESTED INFORMATION ON THE LINES PROVIDED AND CHECK THE APPROPRIATE BOXES.

PROPERTY TYPE:

- SINGLE FAMILY
- ZERO LOT LINE
- CONDOMINIUM
- TOWN HOUSE



FOLLOW CONNECTION DETAILS AS PROVIDED IN PAGES 4 THROUGH 7.

PATIO CONSTRUCTION GUIDELINES

REQUIREMENTS:

1. LATTICE: Lattice shall be 2"x2" @ 6" o.c. (48" span max) 3"x3" @ 6" o.c. (48" span max)
2. JOISTS: Joists shall be _____ x _____ at _____ on center Single Double joists
(SEE TABLE A)
3. HEADER: Header shall be _____ x _____ Single Double header
(SEE TABLE B)
4. LEDGER: Ledger shall be same size as the Joists and mounted on existing wall with 3/8" x 5" lag bolts at 16" on center. (See Detail B/5)
5. FASCIA: Existing fascias if used as a ledger must be attached to the existing rafters with metal framing anchors on each side of each rafter. (See Detail A/5)
6. POSTS: Posts shall be a minimum of 4"x4" material. U.N.O. _____
7. POST TO FOUNDATION: Pad footing (See Detail A/4)* _____ x _____
(SEE TABLE C) *Requires kicker shown on Layout Sections & Detail A/6
 Post base moment detail (See Detail B/4) _____ x _____
8. CONCRETE: Concrete shall reach a minimum compressive strength of 3000 psi, at 28 days, use Type V cement.
Other: _____

TABLE A - JOISTS

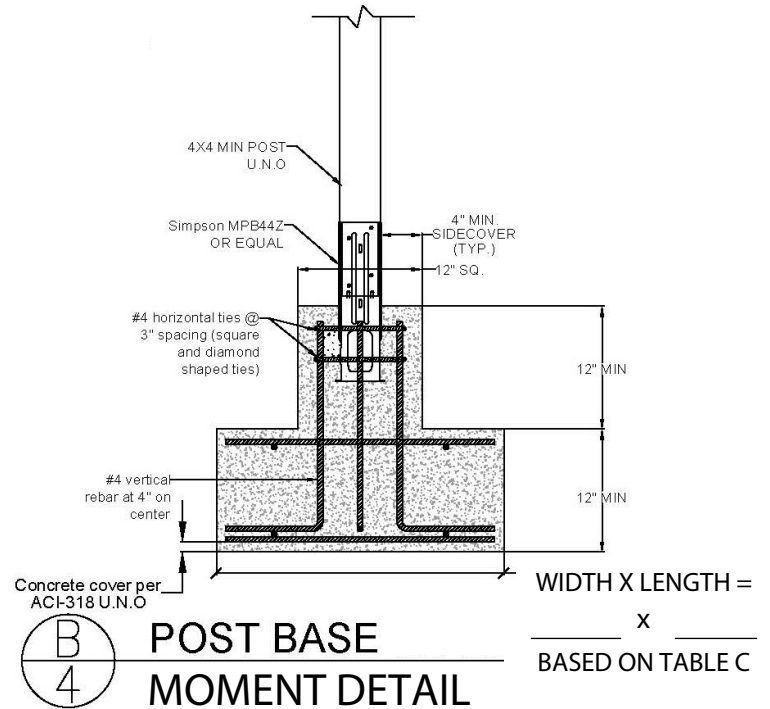
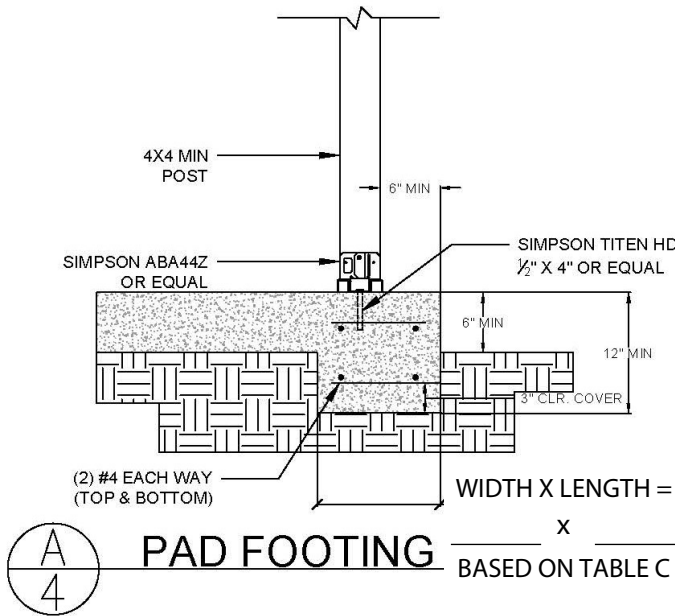
JOIST TO JOIST ON CENTER DIMENSION	LEDGER TO HEADER SPAN BASED ON FRAMING SIZE AND LUMBER GRADE					
	2X4 DOUGLAS FR		2X6 DOUGLAS FR		2X8 DOUGLAS FR	2X10 DOUGLAS FR
	#1	#2	#1	#2	#1	#1
16"	11'-0"	10'-10"	17'-5"	17'-0"	22'-5"	28'-0"
24"	9'-8"	9'-6"	15'-2"	14'-10"	19'-6"	24'-5"
36"	-	-	13'-3"	12'-10"	17'-1"	21'-4"
48"	-	-	12'-0"	11'-9"	15'-6"	19'-5"

TABLE B - HEADERS

JOIST SPAN (PER LAYOUTS)	ALLOWED POST TO POST HEADER SPANS							
	DOUGLAS FIR HEADER SIZE #2 GRADE OR BETTER							
	4x4	4x6	4x8	4x10	4x12	4x14	6x8	6x10
≤ 15'	7'-1"	10'-5"	14'-0"	17'-0"	19'-7"	21'-10"	15'-2"	19'-2"
≤ 20'	6'-2"	9'-1"	12'-4"	14'-10"	17'-2"	19'-1"	13'-4"	16'-9"
FOR DOUBLE HEADER USE (2) 2X INSTEAD OF 4X								

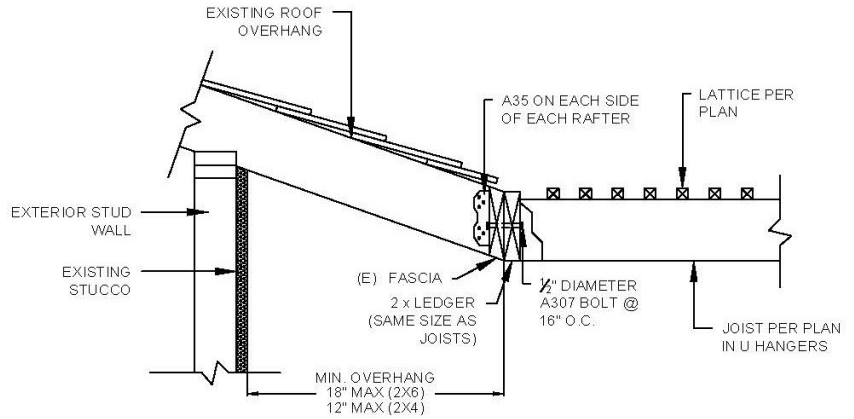
PATIO CONSTRUCTION GUIDELINES

TABLE C - FOOTINGS		
MINIMUM SQUARE FOOT SIZES (WIDTH x LENGTH)		
POST TO POST HEADER SPAN	LEDGER TO HEADER JOIST SPAN	
	≤ 15'-0"	≤ 20'-0"
≤ 6'-0"	15" x 15"	15" x 15"
≤ 8'-0"	15" x 15"	15" x 15"
≤ 10'-0"	15" x 15"	15" x 15"
≤ 12'-0"	15" x 15"	18" x 18"
≤ 14'-0"	18" x 18"	18" x 18"
≤ 16'-0"	18" x 18"	18" x 18"
≤ 18'-0"	18" x 18"	18" x 18"
≤ 20'-0"	18" x 18"	24" x 24"
≤ 22'-0"	18" x 18"	24" x 24"



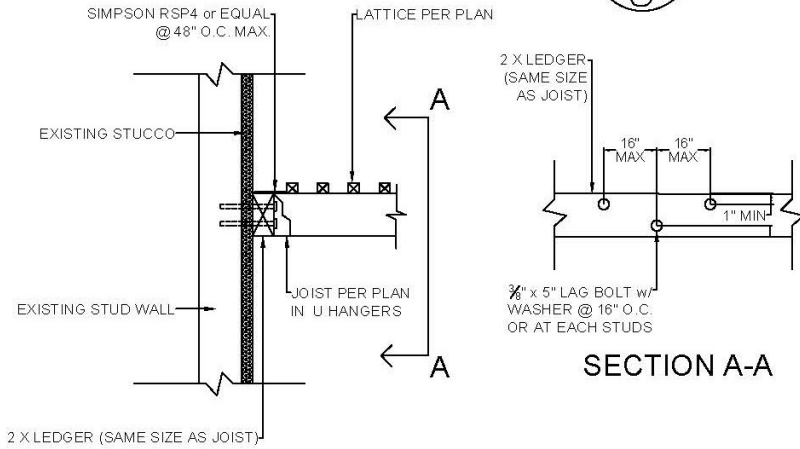
SCALE: NTS

PATIO CONSTRUCTION GUIDELINES



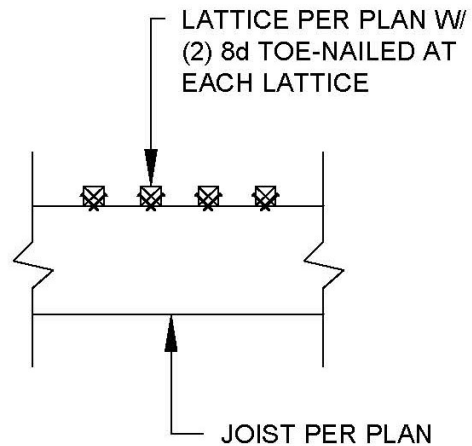
A
5

EAVE CONNECTION



B
5

WALL CONNECTION

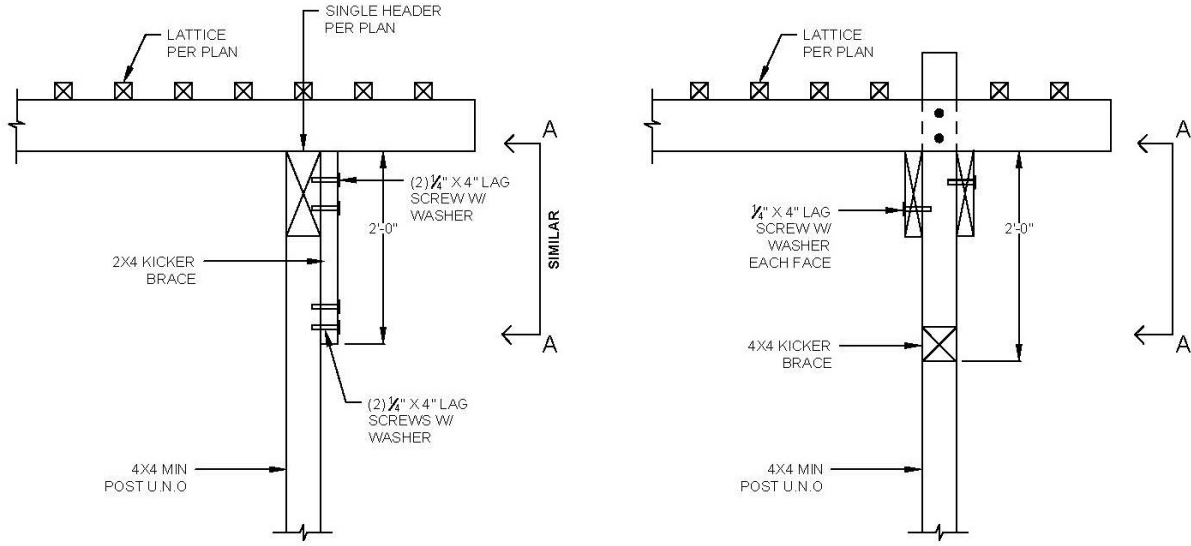


C
5

LATTICE CONNECTION

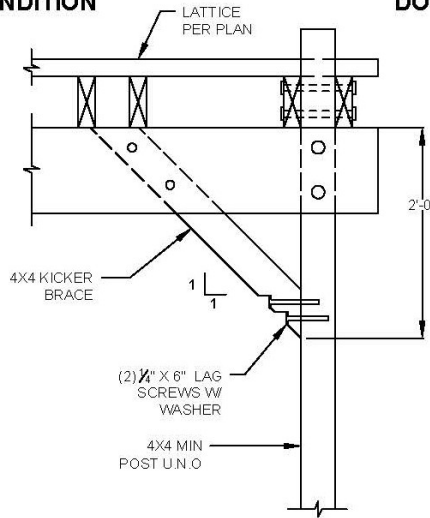
SCALE: NTS

PATIO CONSTRUCTION GUIDELINES



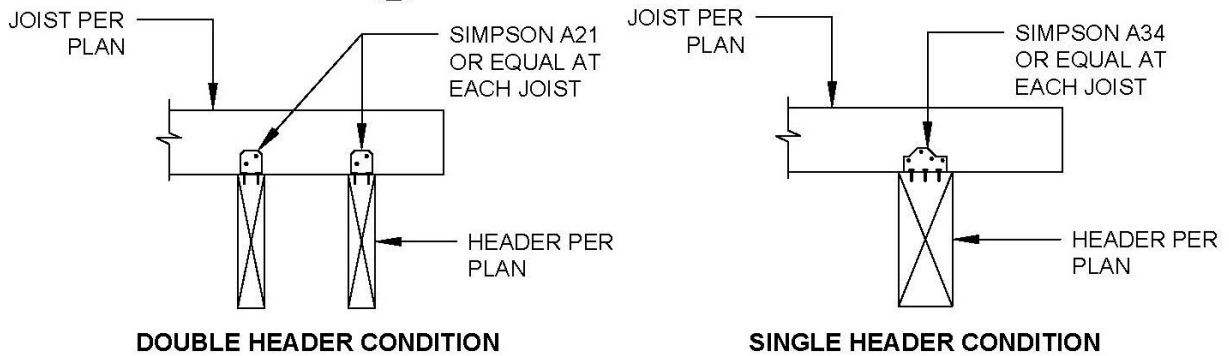
SINGLE HEADER CONDITION

DOUBLE HEADER CONDITION



SECTION A-A

A / 6 **BRACE CONNECTION**



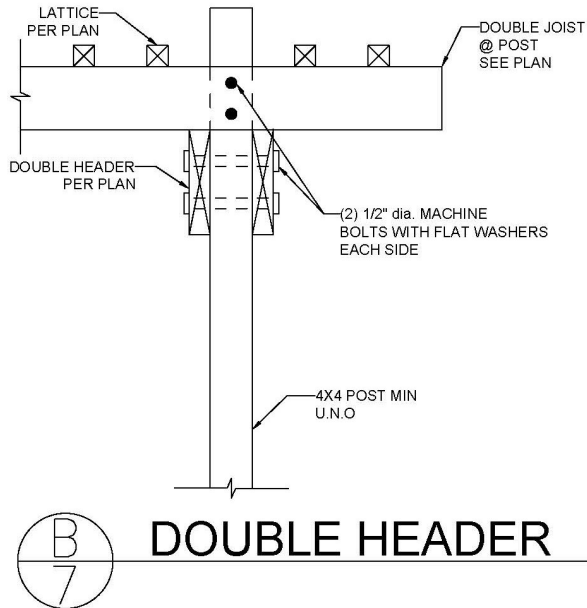
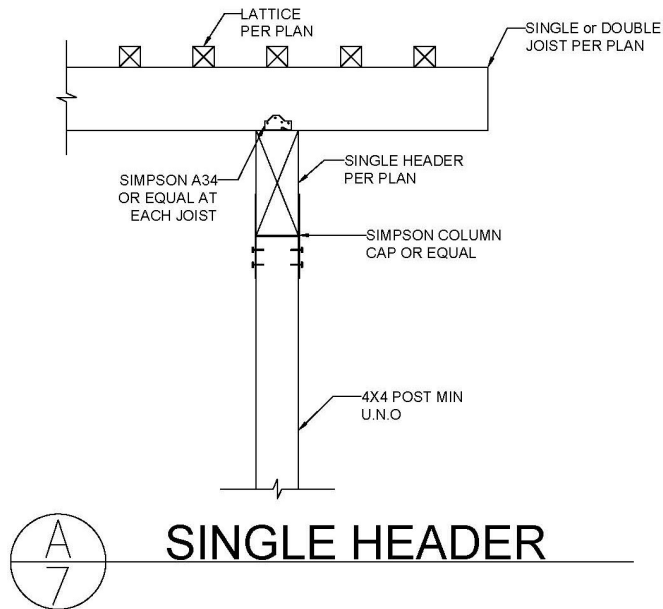
DOUBLE HEADER CONDITION

SINGLE HEADER CONDITION

B / 6 **JOIST CONNECTION**

SCALE: NTS

PATIO CONSTRUCTION GUIDELINES



SCALE: NTS