



# AGENDA

## IRVINE SPORTS COMMITTEE REGULAR MEETING

JANUARY 14, 2020  
7:00 PM

QUAIL HILL COMMUNITY CENTER  
39 SHADY CANYON DRIVE  
IRVINE, CALIFORNIA

---

**Speaker's Card/Request to Speak:** If you would like to address the Sports Committee on a scheduled agenda item, please complete the [Request to Speak Form](#). Please identify on the card your name, address (optional), and the item on which you would like to speak and return to the Recording Secretary. The [Request to Speak Form](#) assists the Chair in ensuring that all persons wishing to address the Sports Committee are recognized. Your name will be called at the time the matter is heard by the Sports Committee. City policy is to limit public testimony to three minutes per speaker (unless extended by the Chair) which includes the presentation of electronic or audio visual information.

---

### CALL TO ORDER

### ROLL CALL

COMMITTEE MEMBER:	AYSO Region 213*	Doug Birozy
COMMITTEE MEMBER:	Irvine Baseball Club	Jeff Peterson
COMMITTEE MEMBER:	Irvine Dolphins Baseball Club	Clint Collins
COMMITTEE MEMBER:	Irvine Futbol Club*	Frank Fortier
COMMITTEE MEMBER:	Irvine Girls Softball Association*	Brian Tatro
COMMITTEE MEMBER:	Irvine Knights Baseball Club	Dick Owens
COMMITTEE MEMBER:	Irvine Pony Baseball*	Eric Gourley
COMMITTEE MEMBER:	Irvine Ranch Little League*	John Grijalva
COMMITTEE MEMBER:	Irvine Rancheros Baseball Club	Doug Euper
COMMITTEE MEMBER:	Irvine Rangers Lacrosse*	Geoff Giglio
COMMITTEE MEMBER:	Irvine Travel Softball*	Chris Dallas
COMMITTEE MEMBER:	Irvine Youth Football*	Paul King

Scan this QR code for an electronic copy of the Agenda and staff reports.



COMMITTEE MEMBER:	LA Galaxy OC*	Christina Padilla
COMMITTEE MEMBER:	Northwood Little League*	Eddie Ollmann
COMMITTEE MEMBER:	OC Fury Youth Baseball	Gary Wood
COMMITTEE MEMBER:	Orange County United FC	Bart Hess
COMMITTEE MEMBER:	Rox Baseball*	Michelle McNab
COMMITTEE MEMBER:	Ryan Lemmon Foundation	Larry Michaels
COMMITTEE MEMBER:	Simply Pure Baseball	Alex Guenette
COMMITTEE MEMBER:	So Cal Elite Sports, Basketball	Cary Lambeth
COMMITTEE MEMBER:	So Cal Elite Sports, Volleyball*	Cary Lambeth
COMMITTEE MEMBER:	Strikers FC Irvine*	Don Ebert
COMMITTEE MEMBER:	Member-At-Large*	Dan Brady
COMMITTEE MEMBER:	Member-At-Large*	James Bailey
COMMITTEE MEMBER:	Member-At-Large*	Jeff Bussel
COMMITTEE MEMBER:	Member-At-Large*	Kenton Fibel
VICE CHAIR:	Matt Leinart Flag Football*	Ryan Bertoni
CHAIR:	Pateadores Irvine*	Jon Szczuka

*\*Voting Member*

## **PLEDGE OF ALLEGIANCE**

## **INTRODUCTIONS**

## **PRESENTATIONS**

### **1. PARK AND PUBLIC FACILITY STANDARDS**

## **ANNOUNCEMENTS**

### **2. ATHLETIC RESERVATIONS FEE POLICY UPDATE**

### **3. ATHLETIC RESERVATION ALLOCATION PROCEDURES**

## **COMMITTEE REPORTS**

## **PUBLIC COMMENTS**

---

Any member of the public may address the Sports Committee on items within the Sports Committee's subject matter jurisdiction but which are not listed on this agenda during Public Comments. However, no action may be taken on matters that are not part of the posted agenda. Public Comments are scheduled for 30 minutes and are limited to three minutes per person. If you wish to speak, please complete a Speaker's Form and submit it to the Recording Secretary.

---

## **CONSENT CALENDAR**

---

All matters listed under Consent Calendar are considered to be routine and enacted by one roll call vote. There will be no discussion of these items unless members of the Sports Committee request specific items to be removed from the Consent Calendar for separate discussion. Any member of the public may address the Sports Committee on items on the Consent Calendar. Public Comments on any item or items on the Consent Calendar are limited to three minutes per speaker. If you wish to speak to a particular item or items, please complete a Speaker's Form and give it to the Recording Secretary.

---

### **4. MINUTES**

**ACTION:**

Approve the minutes of the Irvine Sports Committee Regular Meeting held on October 8, 2019.

### **5. TOURNAMENT AND EVENTS CALENDAR**

**ACTION:**

Receive and file.

## **COMMITTEE BUSINESS**

### **ADJOURNMENT**

Next Meeting: Irvine Sports Committee regular meeting, April 14, 2020, 7:00 p.m., Quail Hill Community Center, Multipurpose Room, 30 Shady Canyon, Irvine, California.

### **NOTICE TO THE PUBLIC**

**At 11:00 p.m.**, the Irvine Sports Committee will determine which of the remaining agenda items can be considered and acted upon prior to 12:00 midnight and will continue all other items on which additional time is required until a future Sports Committee meeting. All meetings are scheduled to terminate at 12:00 midnight.

### **STAFF REPORTS**

If you have any questions regarding any item of business on the agenda for this meeting, or any of the staff reports or other documentation relating to any agenda item, please contact Irvine Sports Committee liaison at (949) 724-6155.

### **SUPPLEMENTAL MATERIAL RECEIVED AFTER THE POSTING OF THE AGENDA**

Any supplemental writings or documents distributed to a majority of the Irvine Sports Committee regarding any item on this agenda after the posting of the agenda will be available for public review in the Community Services Department, One Civic Center Plaza, Irvine, California, during normal business hours. In addition, such writings or documents will be made available for public review at the respective public meeting.

### **SUBMITTAL OF INFORMATION BY MEMBERS OF THE PUBLIC FOR DISSEMINATION OR PRESENTATION AT PUBLIC MEETINGS**

Written Materials/handouts:

Any member of the public who desires to submit documentation in hard copy form may do so prior to the meeting or at the time he/she addresses the Irvine Sports Committee. Please provide 15 copies of the

information to be submitted and file with the Recording Secretary at the time of arrival to the meeting. This information will be disseminated to the Irvine Sports Committee at the time testimony is given.

**CITY SERVICES TO FACILITATE ACCESS TO PUBLIC MEETINGS**

**AMERICANS WITH DISABILITIES ACT:** It is the intention of the City of Irvine to comply with the Americans with Disabilities Act (ADA) in all respects. If, as an attendee or a participant at this meeting, you will need special assistance beyond what is normally provided, the City of Irvine will attempt to accommodate you in every reasonable manner. Please contact Irvine Sports Committee liaison at 949-724-6155 at least 48 hours prior to the meeting to inform us of your particular needs and to determine if accommodation is feasible. Please advise us at the time if you will need accommodations to attend or participate in meetings on a regular basis.

**COMMUNICATION DEVICES**

To minimize distractions, please be sure all personal communication devices are turned off or on silent mode.

**MEETING SCHEDULE**

Regular meetings of the Irvine Sports Committee are held on the second Tuesday of January, April, July, and October at 7:00 PM, unless otherwise noted. The Irvine Sports Committee Agenda is posted in the Police Department and on the City's web page at ***cityofirvine.org***.

I hereby certify that the agenda for the Irvine Sports Committee meeting was posted at the main entrance of City Hall and in the posting book located in the Public Safety Lobby, One Civic Center Plaza, Irvine, California on January 9, 2020 by 5:30 as well as on the City's web page.

  
\_\_\_\_\_  
Sports Committee Liaison

**PRESENTATION – ITEM 1**

**PARK AND PUBLIC FACILITY STANDARDS**

(There is no report associated with this item.)

# Update Park and Public Facility Standards

Section 7: Park Design Standards  
Section 8: Public Facility Specifications

Presented by

Debby Platt, Community Services Administrator

Rachel McLure, Senior Planner

Irvine Sports Committee

January 14, 2020

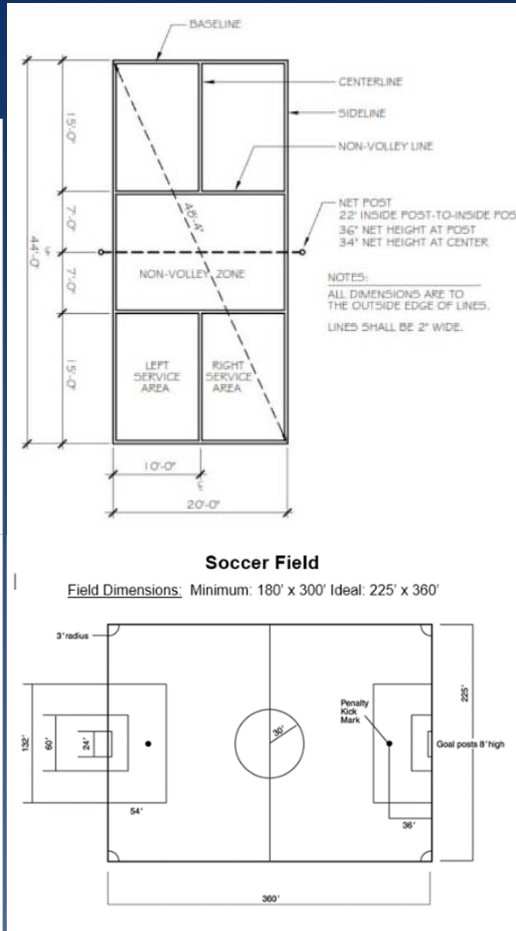
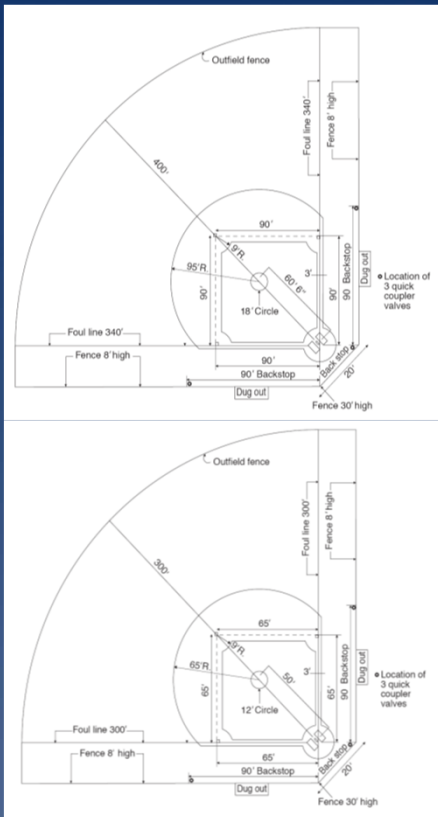
CITY OF IRVINE



# BACKGROUND

- Standards developed in 1987
- Recommendations will include:
  - Current best practices
  - Trends in recreation
  - Input from Community Services Commission
  - **Input from Irvine Sports Committee**
  - Input from Athletic Services staff
  - Input from Operations and Facilities Maintenance staff
  - Community recommendations

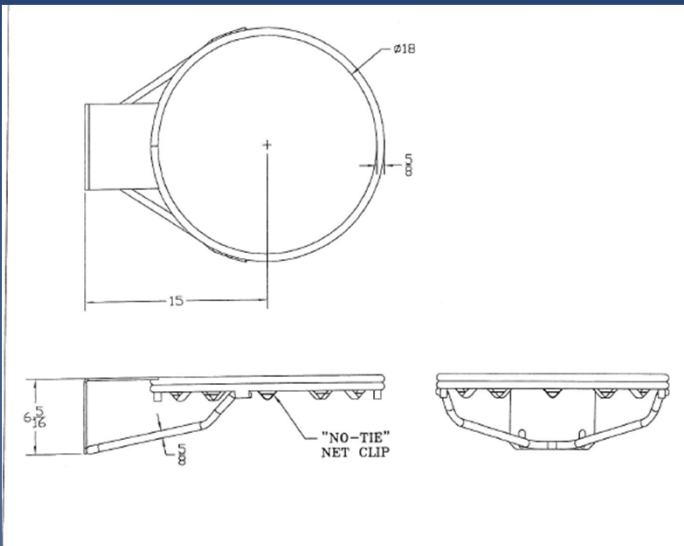
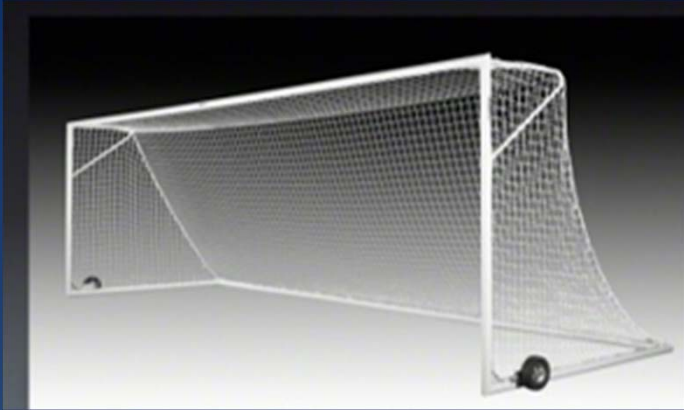
# SECTION 7



1. Baseball
2. Softball
3. Soccer
4. Pickleball (new)
5. and more...



# SECTION 8: SITE FURNISHINGS, ATHLETIC EQUIPMENT



# NEXT STEPS

- Receive comments from Irvine Sports Committee on 1/14/2019
- Present proposed revisions to Community Services Commission on 2/19/2020

**ANNOUNCEMENT – ITEM 2**

**ATHLETIC RESERVATIONS FEE POLICY UPDATE**

(There is no report associated with this item.)

**ANNOUNCEMENT – ITEM 3**

**ATHLETIC RESERVATION ALLOCATION  
PROCEDURES**

(There is no report associated with this item.)

**CONSENT CALENDAR – ITEM 4**  
**MINUTES**



# MINUTES

## IRVINE SPORTS COMMITTEE REGULAR MEETING

October 8, 2019  
7:00 PM

Quail Hill Community Center  
Multipurpose Room  
39 Shady Canyon Drive  
Irvine, CA 92603

### CALL TO ORDER

The regular meeting of the Irvine Sports Committee was called to order at 7:05 p.m. by Chair Szczuka.

### ROLL CALL

#### PRESENT:

COMMITTEE MEMBER:	AYSO Region 213*	Doug Birozy
COMMITTEE MEMBER:	Irvine Futbol Club*	Frank Fortier
COMMITTEE MEMBER:	Irvine Girls Softball Association*	Brian Tatro
COMMITTEE MEMBER:	Irvine Knights Baseball Club	Dick Owens
COMMITTEE MEMBER:	Irvine Pony Baseball*	Eric Gourley
COMMITTEE MEMBER:	Irvine Ranch Little League*	John Grijalva
COMMITTEE MEMBER:	Irvine Rangers Lacrosse*	Geoff Giglio
COMMITTEE MEMBER:	Irvine Travel Softball*	Blair Ota
COMMITTEE MEMBER:	Irvine Youth Football*	Paul King
COMMITTEE MEMBER:	LA Galaxy OC*	Christina Padilla
COMMITTEE MEMBER:	Matt Leinart Flag Football*	Ryan Bertoni
COMMITTEE MEMBER:	Northwood Little League*	Eddie Ollmann
COMMITTEE MEMBER:	Orange County United FC	Bart Hess
COMMITTEE MEMBER:	Rox Baseball*	Michelle McNab
COMMITTEE MEMBER:	Simply Pure Baseball	Alex Guenette
COMMITTEE MEMBER:	So Cal Elite Sports, Basketball	Cary Lambeth
COMMITTEE MEMBER:	Member-At-Large*	Jeff Bussel
COMMITTEE MEMBER:	Member-At-Large*	Kenton Fibel
VICE CHAIR:	So Cal Elite Sports, Volleyball*	Cary Lambeth
CHAIR:	Pateadores Irvine*	Jon Szczuka

**ABSENT**

COMMITTEE MEMBER:	Irvine Baseball Club	Jeff Peterson
COMMITTEE MEMBER:	Irvine Dolphins Baseball Club	Clint Collins
COMMITTEE MEMBER:	Irvine Rancheros Baseball Club	Doug Euper
COMMITTEE MEMBER:	OC Fury Youth Baseball	Gary Wood
COMMITTEE MEMBER:	Ryan Lemmon Foundation	Larry Michaels
COMMITTEE MEMBER:	Strikers FC Irvine*	Don Ebert
COMMITTEE MEMBER:	Member-At-Large*	Dan Brady
COMMITTEE MEMBER:	Member-At-Large*	James Bailey

*\* Voting Member*

**PLEDGE OF ALLEGIANCE**

Chair Szczuka led the Pledge of Allegiance

**INTRODUCTIONS**

There were no introductions.

**PRESENTATIONS**

There were no presentations.

**ANNOUNCEMENTS**

Community Services Manager Dena Diggins announced the Irvine Sports Committee is recruiting for two vacant Member-at-large positions and interviews will be conducted in early December.

Community Services Supervisor Chris Alfaro provided an update for the upcoming changes to the Athletic Fee and Reservation Policy, which was approved by the Irvine City Council at the August 13, 2019 meeting. Committee Member Bertoni had comments and questions regarding field lining. Committee Member Gourley had comments and questions about baseball infield preparations.

Community Services Superintendent Steven Stewart shared information on crime prevention and situational awareness as a reminder to all organizations and participants using athletic facilities.

**COMMITTEE REPORTS**

There were no Committee reports.

**PUBLIC COMMENTS**

There were no public comments.

## **CONSENT CALENDAR**

**ACTION:** Moved by Committee Member Ryan Bertoni, seconded by Committee Member Christina Padilla and unanimously carried by those members present to approve the Consent Calendar as follows:

### **1. MINUTES**

**ACTION:**

Approved the minutes of the Irvine Sports Committee Regular meeting held July 9, 2019.

### **2. TOURNAMENT AND EVENTS CALENDAR**

**ACTION:**

Received calendar.

## **COMMITTEE BUSINESS**

### **1. ELECTION OF IRVINE SPORTS COMMITTEE OFFICERS**

**ACTION:** Chair Szczuka called for the nominations for Chair and Vice Chair of the Irvine Sports Committee. Committee Member Bertoni nominated Chair Szczuka for the position of Chair of the Irvine Sports Committee. Committee Member Owens seconded the motion and by unanimous vote, Chair Szczuka was re-elected as Chair of the Irvine Sports Committee.

**ACTION:** Committee Member Owens nominated Committee Member Bertoni for the position of Vice Chair of the Irvine Sports Committee. Committee Member Ollmann seconded the motion and by unanimous vote, Committee Member Bertoni was elected as Vice Chair of the Irvine Sports Committee.

## **ADJOURNMENT**

Moved by Committee Member Ryan Bertoni, seconded by Committee Member Christina Padilla, and unanimously carried by those members present to adjourn the meeting at 7:18 p.m. to a regular meeting on Tuesday, January 14, 2020 at 7 p.m.

---

JON SZCZUKA, CHAIR

---

STEVEN STEWART  
SUPERINTENDENT OF COMMUNITY SERVICES

Date Approved: \_\_\_\_\_



**CONSENT CALENDAR – ITEM 5**  
**TOURNAMENT AND EVENTS CALENDAR**



# REQUEST FOR IRVINE SPORTS COMMITTEE ACTION

**MEETING DATE:** January 14, 2020

**TITLE:** TOURNAMENTS AND EVENTS CALENDAR

  
\_\_\_\_\_  
Community Services Superintendent

## RECOMMENDED ACTION

Receive and provide input to the Community Services Department.

## EXECUTIVE SUMMARY

The Irvine Sports Committee (Committee) serves in an advisory body reporting to the Community Services Commission, that was established in 1979, and its purpose is to provide input on the needs of the community pertaining to Irvine's youth sports programs, facilities, and services. They also strive to ensure the equitable allocation of athletic facilities.

The Committee is made up of voting and non-voting organizations representing youth recreation and club sports programs. There are no term limits for committee members as they serve at the pleasure of their agencies.

The Committee meets quarterly to review field allocations, event calendars, and reservation and allocation policies and procedures.

The Tournaments and Events Calendar (Calendar) is presented as Attachment 1 for the Committee's review, discussion, and input.

## ANALYSIS

Tournaments and large events are reserved in accordance with the Public Facilities Reservation and Fee Policies. These policies provide priorities and methodologies for approving tournaments and large events while meeting the needs of the Irvine community.

The Calendar is created to document tournament and large event requests that extend beyond the activities in the seasonal allocation process. While events remain in the planning

process, the Committee reviews the Calendar to ensure facilities are adequate to meet the needs of the event, and the needs of local programs.

### **ALTERNATIVES CONSIDERED**

The Committee may request a modification of one or more events.

### **FINANCIAL IMPACT**

Modifications to the Calendar resulting in a reduction of tournament hours may have a financial impact.

**REPORT PREPARED BY**                      Chris Alfaro, Community Services Supervisor

### **ATTACHMENT**

Tournaments and Events Calendar

**City of Irvine  
Athletic Tournament Event Calendar**

Start Date	End Date	Organization Name	Tournament/Event Name	Field Requests	Notes
Saturday, January 4, 2020	Sunday, January 5, 2020	Pateadores Irvine	Pats Junior Cup	All Soccer Fields	
Saturday, January 11, 2020	Sunday, January 12, 2020	Surf City Tourneys	Winter Tournament	Bill Barber	
Saturday, January 25, 2020	Sunday, January 26, 2020	Triple Crown Sports (SoCal)	OC Coastal Classic Softball Tournament	Bill Barber, Mark Daily	
Saturday, February 22, 2020	-	Irvine Girls Softball Association	Opening Day	Bill Barber	
Saturday, February 22, 2020	-	Irvine Ranch Little League	Opening Day	Las Lomas	
Friday, February 28, 2020	Saturday, March 7, 2020	Northwood High School	Timberwolf Classic Softball Tournament	Bill Barber	Use 2/28, 2/29, 3/6, 3/7 only
Saturday, February 29, 2020	-	Northwood Little League	Opening Day	Hicks Canyon	
Saturday, February 29, 2020	-	Irvine Pony Baseball	Opening Day	Harvard Park	
Saturday, March 7, 2020	-	USA Softball SoCal	Olympic Tour Stop - Practice & Camp	Portola Springs	
Sunday, March 8, 2020	-	USA Softball SoCal	Olympic Tour Stop	Bill Barber	
Saturday, March 28, 2020	Wednesday, April 1, 2020	Ryan Lemmon Foundation	Spring Tournament	Windrow	
Saturday, March 28, 2020	Saturday, April 4, 2020	Woodbridge High School	Varsity Softball Tournament	Bill Barber	Use 3/28, 3/30, 4/4 only
Saturday, March 28, 2020	Saturday, April 4, 2020	Woodbridge High School	JV Softball Tournament	Mark Daily	Use 3/28, 3/30, 4/4 only
Friday, May 15, 2020	Saturday, May 16, 2020	CIF	Girl's Softball Championships	Bill Barber	
Tuesday, May 19, 2020	-	Surf City Tourneys	OC Coaches Softball All-Star Game	Bill Barber	
Thursday, May 21, 2020	Monday, May 25, 2020	Irvine Pony Baseball	Memorial Day Tournament	All City Baseball Fields	
Saturday, May 23, 2020	Monday, May 25, 2020	Triple Crown Sports (SoCal)	Memorial Day Classic Softball Tournament	Bill Barber	
Friday, June 5, 2020	Sunday, June 7, 2020	Ryan Lemmon Foundation	Senior & Sophomore Baseball Showcase	Windrow	
Friday, June 5, 2020	Sunday, June 7, 2020	Irvine Girls Softball Association	Summertime Classic Softball Tournament	All City Softball Fields	
<b>TBA - June 2020</b>	-	Northwood Little League	District 55 TOC Tournament	Hicks Canyon	
Friday, June 12, 2020	Sunday, June 14, 2020	Premier Girls Fastpitch	National Qualifier	Bill Barber, Harvard	
Saturday, June 27, 2020	Sunday, June 28, 2020	Triple Crown Sports (SoCal)	Red, White, & Blue Softball Tournament	Bill Barber, Mark Daily	
Friday, June 26, 2020	Friday, July 3, 2020	USA Premier Baseball	4th of July Firecracker Classic 18u, 17u	Windrow, Cypress	
<b>TBA - July 2020</b>	-	Northwood Little League	District 55 8/9/10u All-Star Tournament	Hicks Canyon	
Friday, July 3, 2020	Saturday, July 11, 2020	USA Premier Baseball	4th of July Firecracker Classic 16u, 15u, 14u	Windrow, Cypress	
Thursday, July 9, 2020	Monday, July 13, 2020	Champions Cup	Champions Cup 16u	Harvard Park	
Thursday, July 9, 2020	Tuesday, July 14, 2020	Irvine Pony Baseball	Mustang & Bronco All-Star Tournament	Hicks Canyon	
Wednesday, July 15, 2020	Sunday, July 19, 2020	Champions Cup	Champions Cup 18u	Harvard Park	
Saturday, July 18, 2020	Sunday, July 19, 2020	Pateadores Irvine	Pats Cup	All Soccer Fields	
Sunday, August 2, 2020	Saturday, August 8, 2020	Premier Girls Fastpitch	National Championship - Week 2	Bill Barber, Harvard	
Saturday, July 25, 2020	Saturday, August 1, 2020	Premier Girls Fastpitch	National Championship - Week 1	Bill Barber, Harvard	
Saturday, August 22, 2020	Sunday, August 23, 2020	OC United	OC Kickoff Classic Soccer Tournament (Girls)	All Soccer Fields	
Saturday, August 29, 2020	Sunday, August 30, 2020	OC United	OC Kickoff Classic Soccer Tournament (Boys)	All Soccer Fields	
Saturday, September 5, 2020	Monday, September 7, 2020	Irvine Futbol Club	Irvine World Cup Soccer Showcase	All Soccer Fields	
Friday, October 2, 2020	Sunday, October 4, 2020	USA Premier Baseball	Fall Classic Baseball Tournament	Windrow, Cypress	
Saturday, October 10, 2020	Sunday, October 11, 2020	Irvine Girls Softball Association	Fall Pumpkin Softball Tournament	Bill Barber, David Sills, Portola Spring	
Saturday, November 21, 2020	Sunday, November 22, 2020	Surf City Tourneys	Early Thanksgiving Showcase Softball Tournament	Bill Barber, Harvard	
<b>TBA - November 2020</b>	-	AYSO Irvine 213	Mayor's Cup Soccer Tournament	TBA	
Friday, November 27, 2020	Sunday, November 29, 2020	USA Premier Baseball	Thanksgiving Tournament	Windrow, Cypress	
Saturday, December 12, 2020	Sunday, December 13, 2020	LA Galaxy Orange County	Tournament of Champions	All Soccer Fields	
Friday, December 11, 2020	Sunday, December 13, 2020	USA Premier Baseball	Christmas Classic Baseball Tournament	Windrow, Cypress	
Friday, February 12, 2021	Sunday, February 14, 2021	NCAA	College Softball Tournament	Bill Barber	PENDING APPROVAL



**Keep Baseball Fun.**



## **COACH BALLGAME BASEBALL**



Coach Ballgame is a Little League Coach known for his playful and unique approach to teaching the culture and skills of baseball. His 15 years of experience and high attention to detail allows players at any age to learn the skills of the game in a fun and productive manner.

- Private Lessons**
- Spring Break Camp**
- Coaches Clinics**
- Summer Camps**
- One Day Skills Clinics**
- Birthday Parties**

323-947-1423

@coachballgame

[www.coachballgame.com](http://www.coachballgame.com)

